




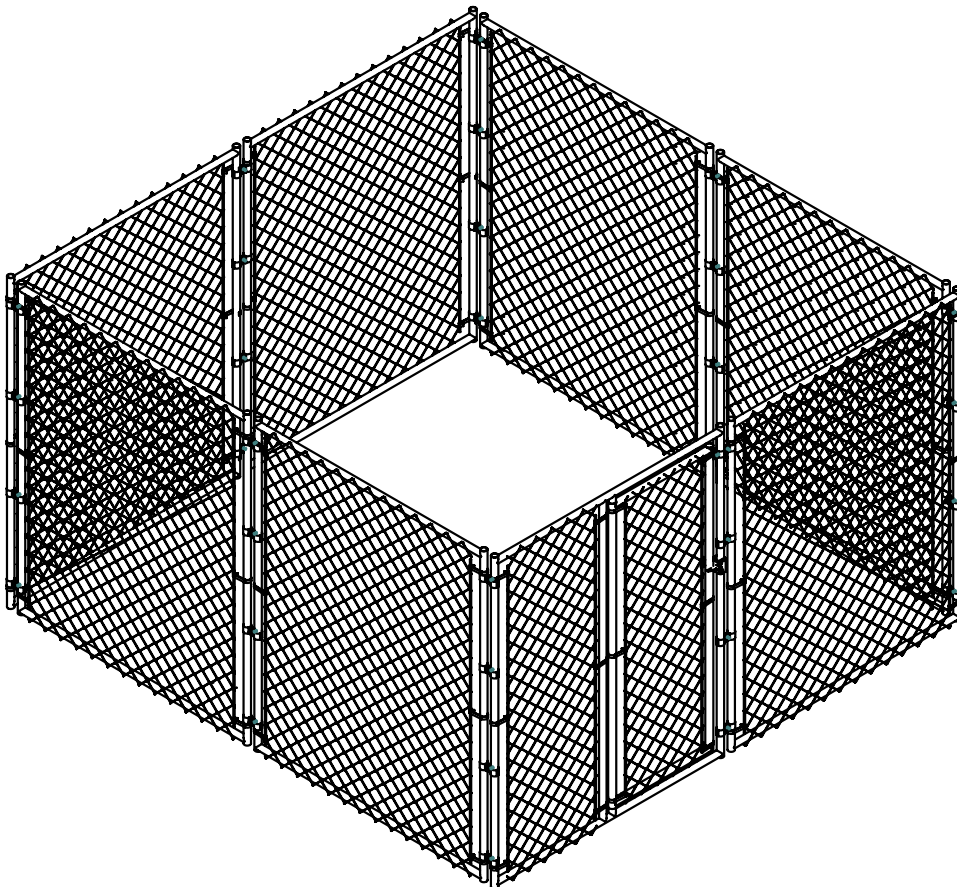


Fetch Covered Dog Run

Product code: 900327 (2x2m), 961376 (3x3m), 993897 (4x4m),
935475 (6x4m)

Keep your best mate safe and happy with one of our top-notch dog runs.

-  Galvanised steel construction
-  Heavy-duty 2.35mm wire mesh
-  Modular design can be expanded



Parts List

PART	DESCRIPTION	Dog Run Size			
		2 x 2m	3 x 3m	4 x 4m	6 x 4m
A	Gate Panel	1	1	1	1
B	Chainlink Panel	3	7	7	9
A-A	Panel Clamps with bolts & Hex Nut	16	32	32	40

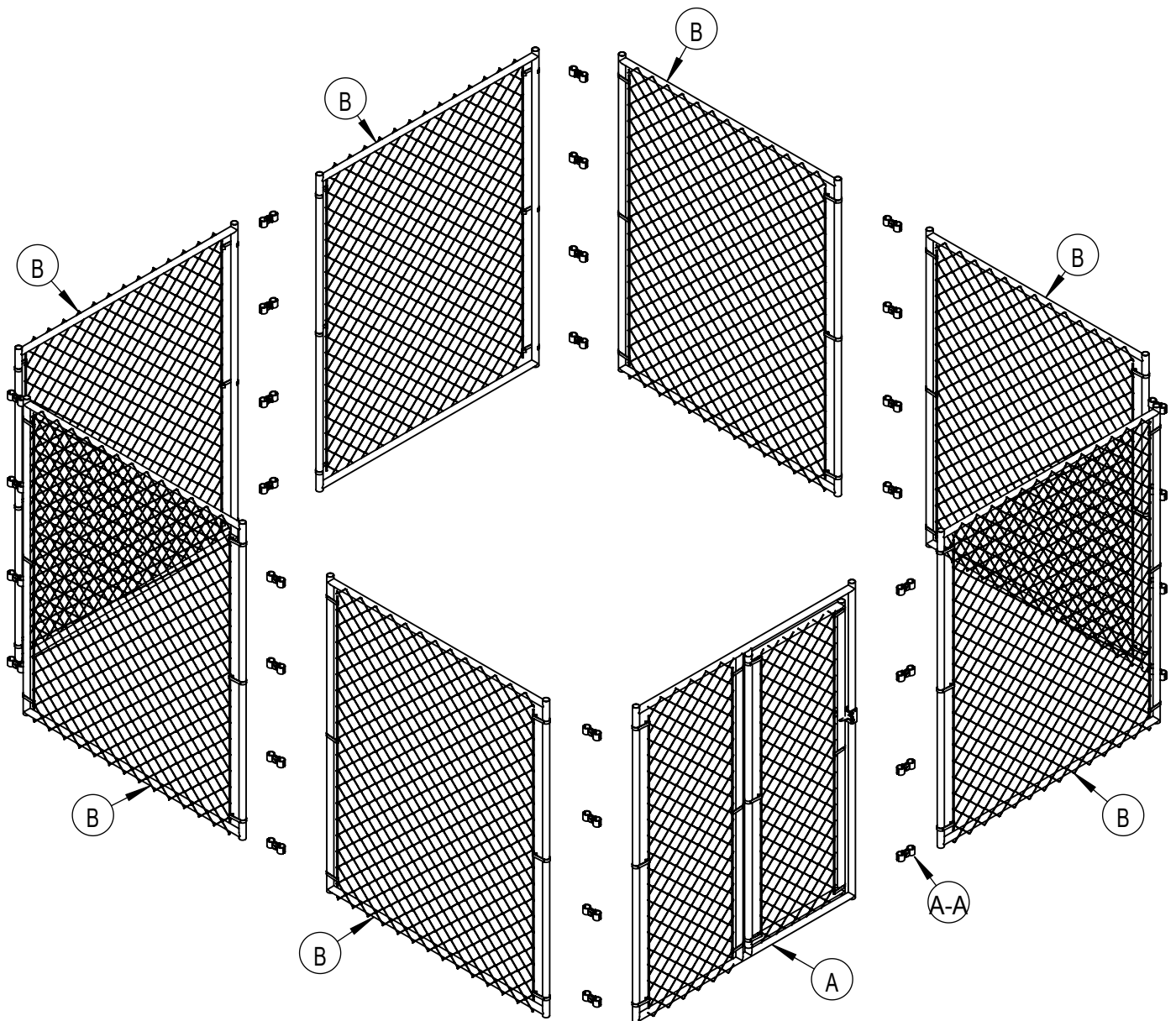


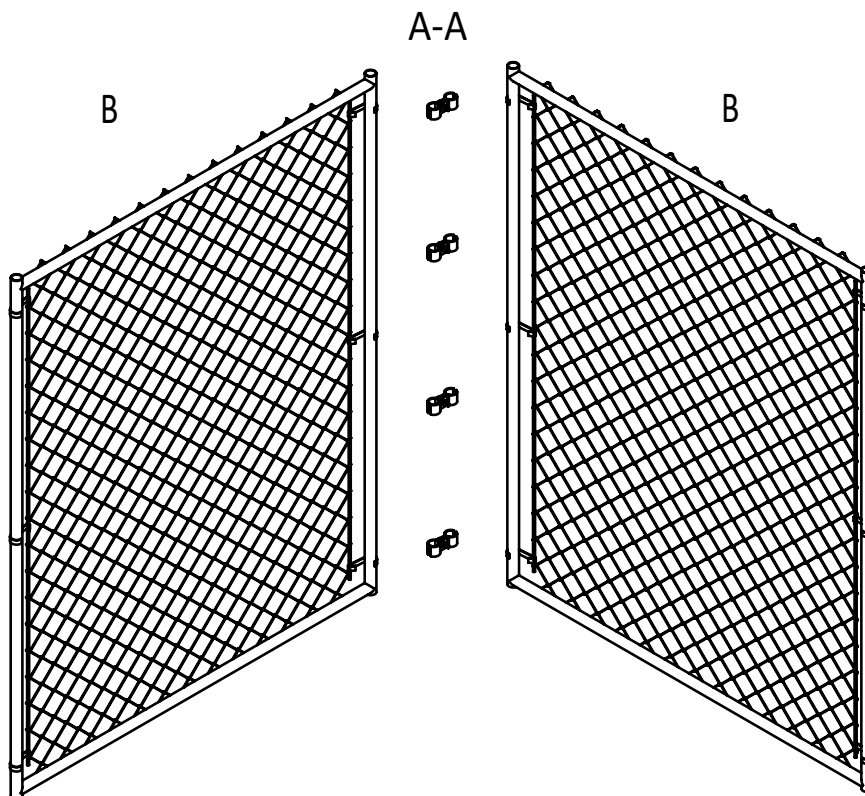
Diagram is to show clamp assembly (some models / sizes will differ in number of panels).

Preparation

- Before beginning assembly, please make sure all parts are present. Compare parts with the parts list. If any parts are missing or damaged, do not attempt to assemble product.
- Two people are required for assembly.
- Tools required: 9/16" wrench or socket wrench.

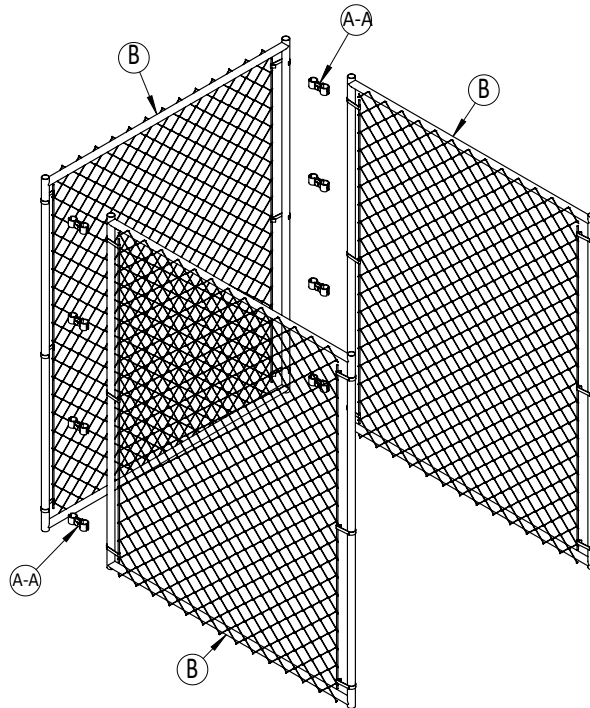
Assembly

- Start by planning the layout of the dog run and the placement of the gate panel.
- Begin the construction of the panels at a corner. Stand up two of the chain link panels to create a corner at 90°. Use four panel clamps to secure the panels together, make sure to space the clamps evenly. Position the clamps with the smooth bolt head inwards towards the dog run.



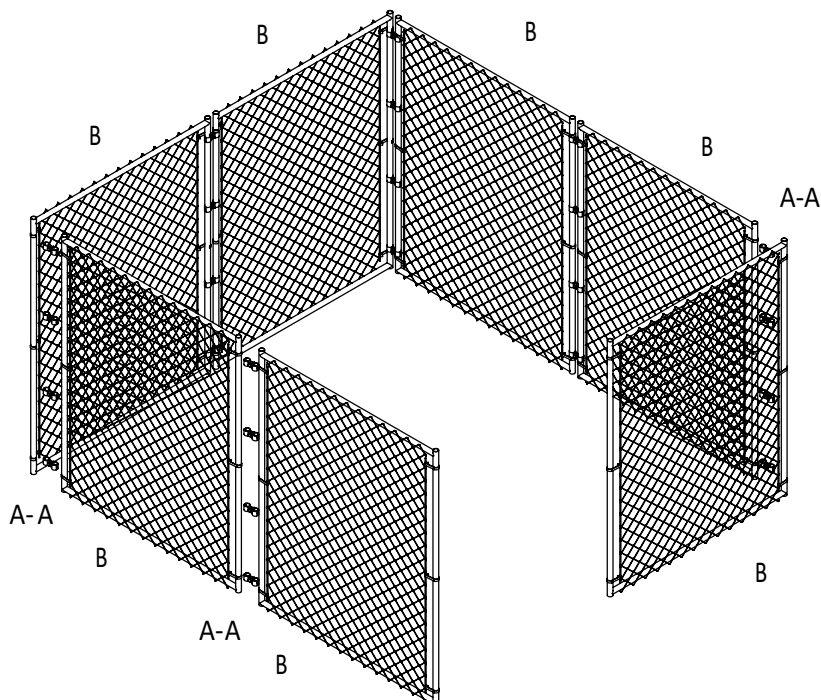
For 2 x 2m:

- Create another corner by adding another panel at 90°. Use four panel clamps to secure the panels together. One chainlink panel or one gate panel will complete one side.



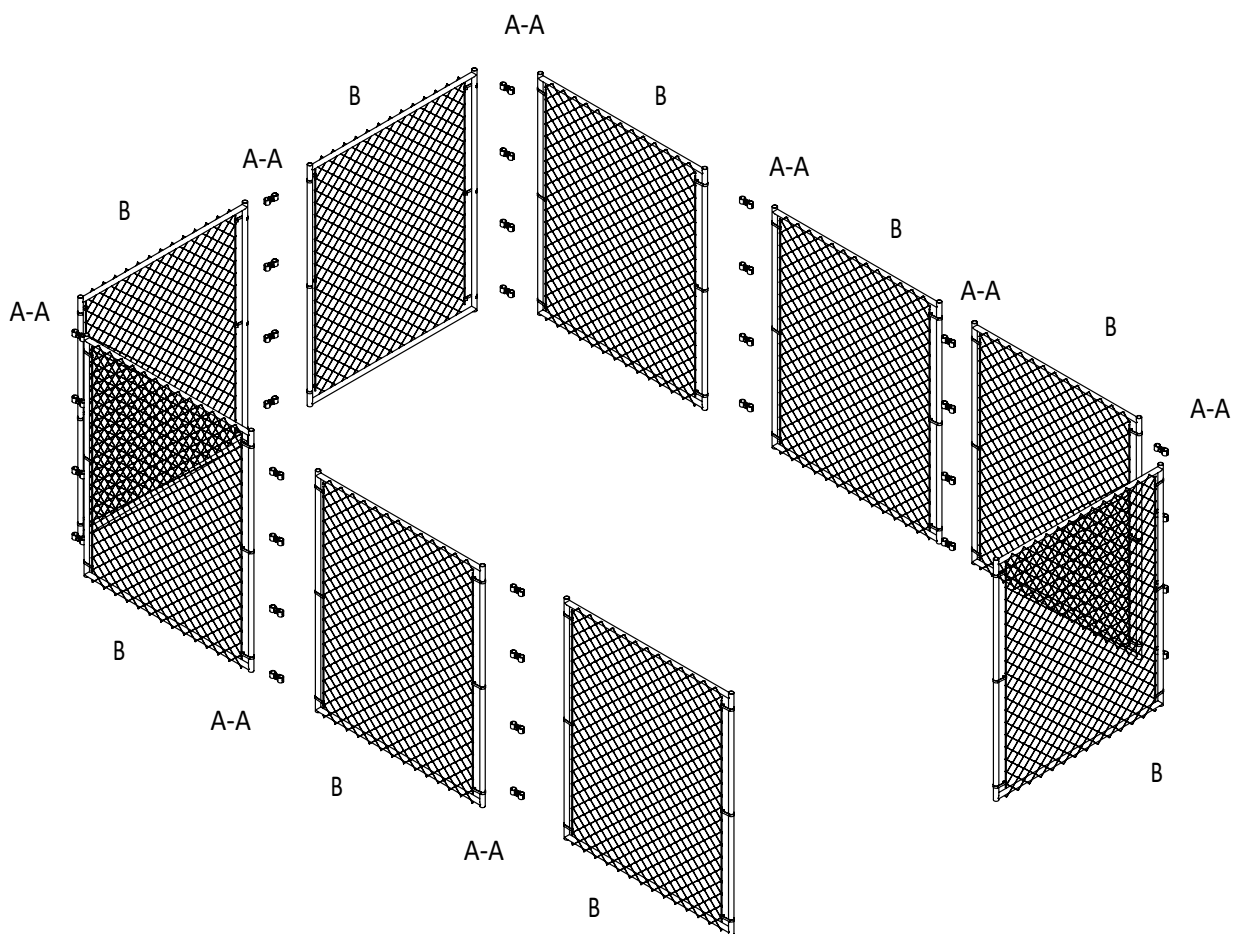
For 3 x 3m & 4 x 4m:

- Attach the next panel in line using four clamps to secure together.
- Create another corner by adding another panel at 90°. Use four panel clamps to secure the panels together.
- Continue adding panels until all 7 panels are secured together. Two panels or one panel and one gate panel complete a side.



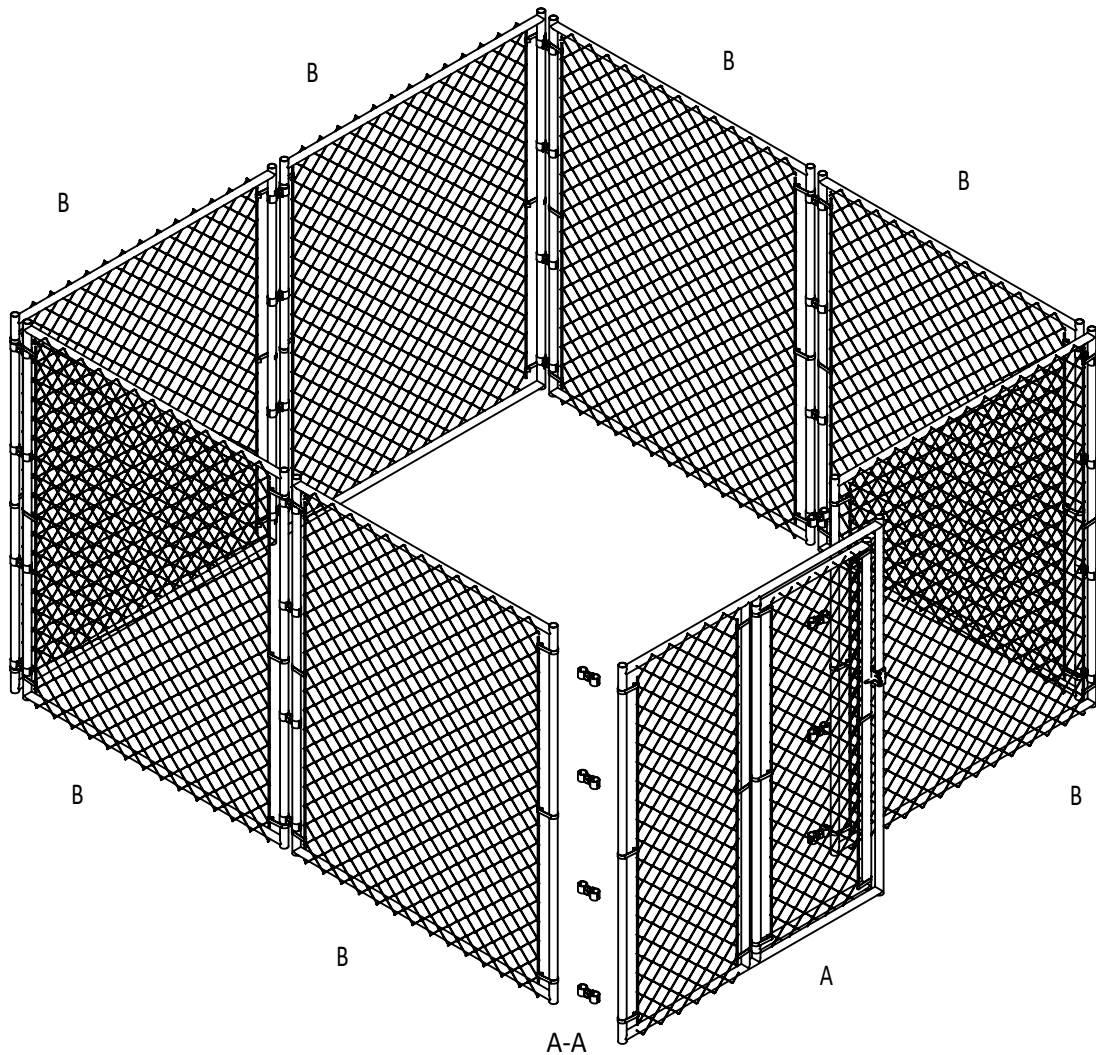
For 6 x 4m:

- Attach the next panel in line using four clamps to secure together.
- Create another corner by adding another panel at 90°. Use four panel clamps to secure the panels together.
- Continue adding panels until all 9 panels are secured together. Two panels in line will complete one end of the dog run and three panels in line will complete one side.



For all sizes:

- Finally add the gate panel to complete the final side and clamp the panels together. The latch is pre-installed and should not be moved.
- **NOTE:** The gate panel can be used on any side of the dog run.



- Attach the shade cover to the top of the dog run. Use zip ties (not included) through the eyelets of the shade cloth and attach to the top of the mesh panel. Secure tightly so the shade cloth is taut.
- **NOTE:** The shade cover is designed so water will penetrate through the cover and not sit on top & pool.